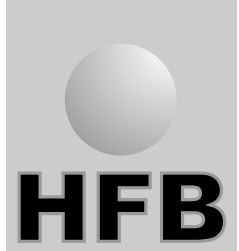
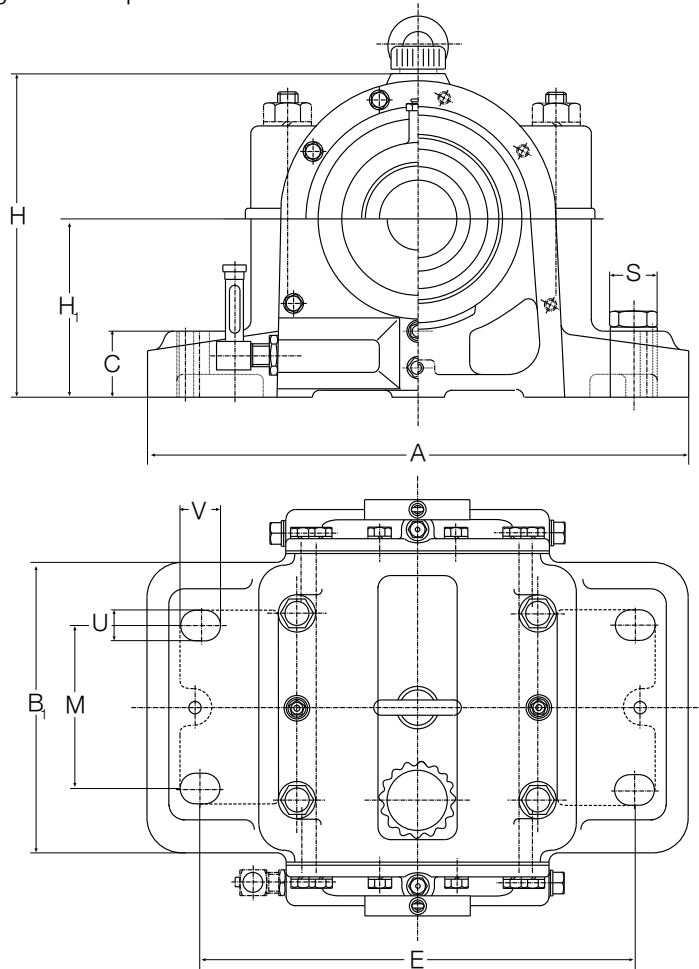


# Plummer Block Housings (split)

Series GOF 5  
with oil splash ring lubrication



Series GUF 5  
circulating oil lubrication for  
Spherical roller bearings with adapter sleeve

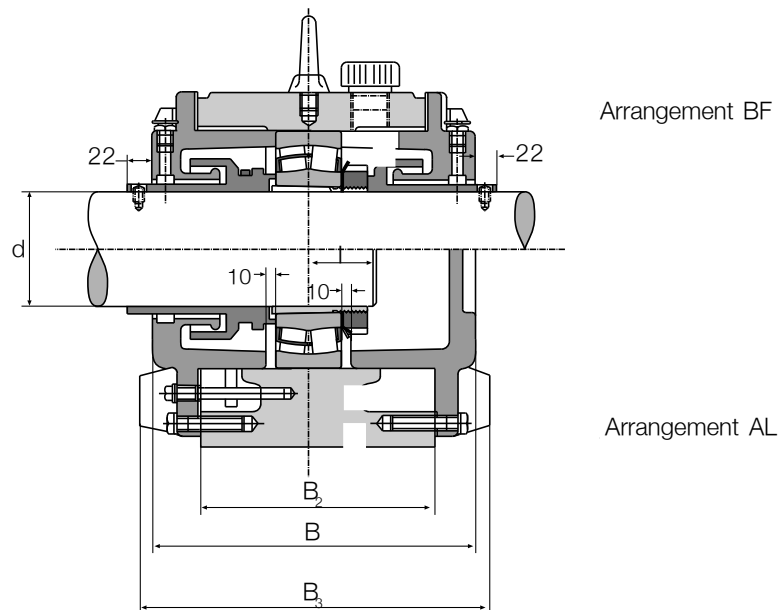


| Housing Ref No | Shaft d | H <sub>i</sub> | H   | A   | E   | C   | S    | M   | B mm | B <sub>1</sub> | B <sub>2</sub> | B <sub>3</sub> | B <sub>4</sub> | U  | V   | I   | Weight kg |
|----------------|---------|----------------|-----|-----|-----|-----|------|-----|------|----------------|----------------|----------------|----------------|----|-----|-----|-----------|
| GOF 517        | 75      | 135            | 240 | 410 | 340 | 48  | M 20 | 80  | 225  | 150            | 160            | 235            | 25             | 35 | 42  | 45  |           |
| GOF 518        | 80      | 135            | 250 | 410 | 340 | 48  | M 20 | 80  | 225  | 150            | 160            | 235            | 25             | 35 | 45  | 50  |           |
| GOF 519        | 85      | 150            | 275 | 490 | 400 | 50  | M 24 | 80  | 250  | 160            | 170            | 260            | 30             | 45 | 45  | 62  |           |
| GOF 520        | 90      | 150            | 280 | 490 | 400 | 50  | M 24 | 80  | 250  | 160            | 170            | 265            | 30             | 45 | 50  | 68  |           |
| GOF 522        | 100     | 165            | 305 | 510 | 420 | 50  | M 24 | 80  | 250  | 165            | 175            | 265            | 30             | 45 | 60  | 75  |           |
| GOF 524        | 110     | 175            | 325 | 550 | 440 | 55  | M 30 | 80  | 250  | 165            | 175            | 265            | 36             | 50 | 60  | 80  |           |
| GOF 526        | 115     | 190            | 350 | 570 | 460 | 65  | M 30 | 90  | 260  | 175            | 185            | 275            | 36             | 50 | 65  | 90  |           |
| GOF 528        | 125     | 190            | 365 | 570 | 460 | 65  | M 30 | 100 | 260  | 175            | 180            | 275            | 36             | 50 | 65  | 100 |           |
| GOF 530        | 135     | 220            | 400 | 660 | 530 | 70  | M 36 | 100 | 275  | 190            | 200            | 290            | 42             | 60 | 70  | 120 |           |
| GOF 532        | 140     | 220            | 410 | 660 | 530 | 70  | M 36 | 110 | 290  | 200            | 210            | 305            | 42             | 60 | 75  | 135 |           |
| GOF 534        | 150     | 260            | 465 | 710 | 580 | 85  | M 36 | 110 | 300  | 200            | 210            | 305            | 42             | 60 | 80  | 160 |           |
| GOF 536        | 160     | 260            | 465 | 710 | 580 | 85  | M 36 | 110 | 300  | 200            | 210            | 305            | 42             | 60 | 80  | 165 |           |
| GOF 538        | 170     | 270            | 485 | 820 | 670 | 90  | M 42 | 130 | 350  | 240            | 250            | 365            | 48             | 70 | 85  | 240 |           |
| GOF 540        | 180     | 280            | 510 | 830 | 670 | 90  | M 42 | 130 | 360  | 240            | 260            | 375            | 48             | 70 | 90  | 250 |           |
| GOF 544        | 200     | 310            | 565 | 880 | 720 | 105 | M 42 | 130 | 380  | 240            | 280            | 395            | 48             | 70 | 100 | 310 |           |
| GOF 548        | 220     | 340            | 625 | 980 | 820 | 120 | M 42 | 165 | 400  | 280            | 300            | 415            | 48             | 70 | 110 | 390 |           |

# Plummer Block Housings (split)

Series GOF 5  
with oil splash ring lubrication

Series GUF 5  
circulating oil lubrication for  
Spherical roller bearings with adapter sleeve



| Housing Ref No | Matching Bearing | Locking Nut | Oil volume Liter | Oil level min - max mm |
|----------------|------------------|-------------|------------------|------------------------|
| GOF 517        | 22217 K          | H 317       | 1,2              | 50 - 65                |
| GOF 518        | 22218 K          | H 318       | 1,3              | 45 - 60                |
| GOF 519        | 22219 K          | H 319       | 1,4              | 55 - 70                |
| GOF 520        | 22220 K          | H 320       | 1,5              | 50 - 65                |
| GOF 522        | 22222 K          | H 322       | 1,9              | 50 - 70                |
| GOF 524        | 22224 K          | H 3124      | 2,1              | 50 - 70                |
| GOF 526        | 22226 K          | H 3126      | 2,1              | 55 - 70                |
| GOF 528        | 22228 K          | H 3128      | 3,5              | 55 - 75                |
| GOF 530        | 22230 K          | H 3130      | 4,0              | 65 - 90                |
| GOF 532        | 22232 K          | H 3132      | 4,0              | 60 - 80                |
| GOF 534        | 22234 K          | H 3134      | 5,7              | 90 - 105               |
| GOF 536        | 22236 K          | H 3136      | 5,7              | 75 - 110               |
| GOF 538        | 22238 K          | H 3138      | 7,0              | 70 - 100               |
| GOF 540        | 22240 K          | H 3140      | 8,0              | 75 - 100               |
| GOF 544        | 22244 K          | H 3144      | 10,0             | 80 - 110               |
| GOF 548        | 22248 K          | H 3148      | 14,0             | 100 - 125              |